



US009168564B1

(12) **United States Patent**
Hays et al.

(10) **Patent No.:** **US 9,168,564 B1**
(45) **Date of Patent:** **Oct. 27, 2015**

(54) **DEVICE AND MATERIALS FABRICATION AND PATTERNING VIA SHAPED SLOT ELECTRODE CONTROL OF DIRECT ELECTROSTATIC POWDER DEPOSITION**

(71) Applicant: **Xactiv, Inc.**, Fairport, NY (US)

(72) Inventors: **Dan A. Hays**, Venice, FL (US); **James Mason**, Victor, NY (US); **Peter J. Mason**, Fairport, NY (US)

(73) Assignee: **XACTIV, INC.**, Fairport, NY (US)

(*) Notice: Subject to any disclaimer, the term of this patent is extended or adjusted under 35 U.S.C. 154(b) by 0 days.

(21) Appl. No.: **14/321,421**

(22) Filed: **Jul. 1, 2014**

Related U.S. Application Data

(63) Continuation of application No. 13/866,100, filed on Apr. 19, 2013, now Pat. No. 8,771,802.

(60) Provisional application No. 61/687,191, filed on Apr. 20, 2012.

(51) **Int. Cl.**
B05C 19/02 (2006.01)
B41J 2/415 (2006.01)
G03G 15/34 (2006.01)
G03G 15/09 (2006.01)

(52) **U.S. Cl.**
CPC **B05C 19/025** (2013.01); **B41J 2/415** (2013.01); **G03G 15/0907** (2013.01); **G03G 15/346** (2013.01)

(58) **Field of Classification Search**
None
See application file for complete search history.

(56) **References Cited**

U.S. PATENT DOCUMENTS

3,680,779	A	8/1972	Reilly
3,689,935	A	9/1972	Pressman
4,491,855	A	1/1985	Fujii et al.
4,546,060	A	10/1985	Miskinis et al.
4,568,955	A	2/1986	Hosoya et al.
4,743,926	A	5/1988	Schmidlin et al.
4,863,538	A	9/1989	Deckard
5,036,341	A	7/1991	Larsson
5,038,159	A	8/1991	Schmidlin et al.
5,121,144	A	6/1992	Larson et al.
5,204,055	A	4/1993	Sachs et al.
5,409,791	A	4/1995	Kaukeinen et al.
5,812,160	A	9/1998	Wada et al.
6,206,672	B1	3/2001	Grenda

(Continued)

OTHER PUBLICATIONS

“TonerJet Tandem Color has Reached Prototype Stage,” Sandberg, conference proceedings of IS&T, NIP14: 1998 International Conference on Digital Printing Technologies pp. 180-183; EFS file name 20140916_14-321421_IDS_NPL_cite1.pdf.

(Continued)

Primary Examiner — Dah-Wei D Yuan

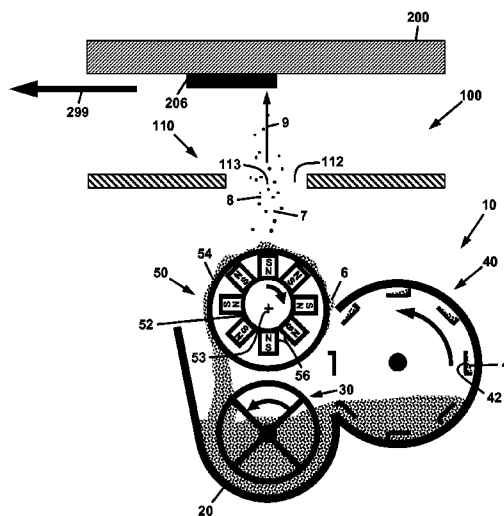
Assistant Examiner — Jethro M Pence

(74) *Attorney, Agent, or Firm* — John M. Hammond; Patent Innovations LLC

(57) **ABSTRACT**

An object fabricating apparatus is comprised of at least one charged powder cloud generating system, at least one electrode proximate to the powder cloud generating system and comprising at least one shaped slot, and a voltage supply in communication with each electrode to electrostatically modulate the flow of charged powder to a conductive substrate electrically biased to provide an electrostatic attraction of the charged powder to the substrate. An object fabricating method is also disclosed that uses the object fabricating apparatus.

11 Claims, 7 Drawing Sheets



(56)

References Cited

U.S. PATENT DOCUMENTS

6,463,239 B1 * 10/2002 Hays et al. 399/222
6,503,678 B1 * 1/2003 Moffat et al. 430/108.5
6,561,628 B1 5/2003 Camis et al.
2005/0287306 A1 12/2005 Hays et al.

OTHER PUBLICATIONS

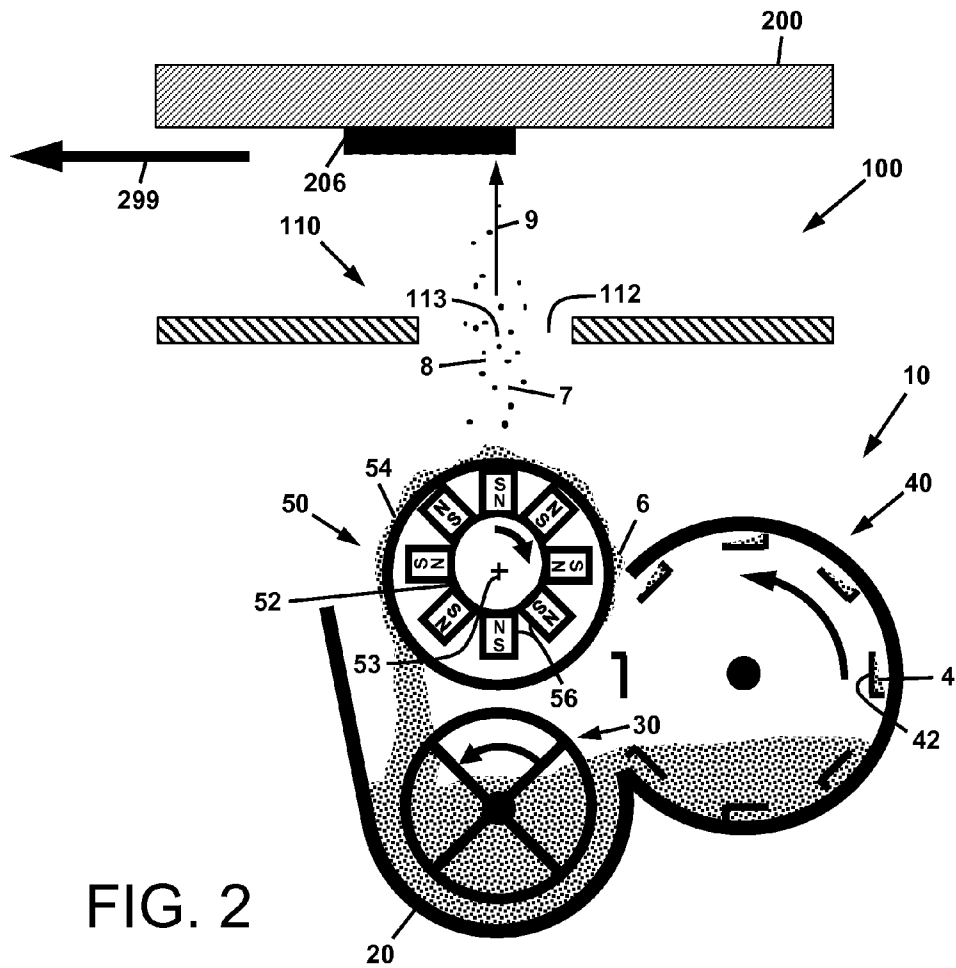
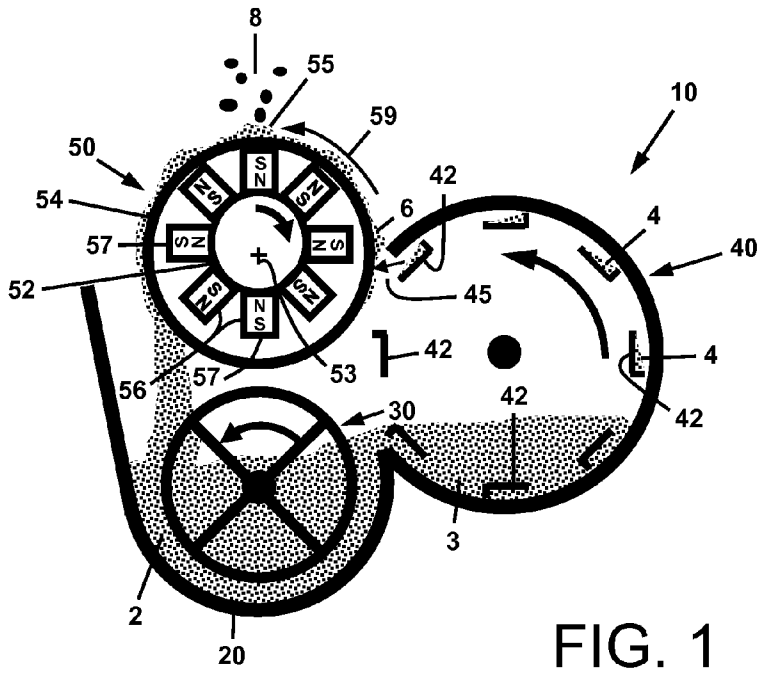
“Dot Formation by Toner Beam from Toner Cloud” Hoshino et al.,
conference proceedings of IS&T, NIP15: 1999 International Confer-

ence on Digital Printing Technologies, pp. 598-600; EFS file name
20140916_14-321421_IDS_NPL_cite2.pdf.

“Dot Formation Conditions from the Conductive Toner Cloud by
Aperture Electrodes,” Zhou et al., conference proceedings of IS&T,
NIP21: 2005 International Conference on Digital Printing Technolo-
gies, pp. 610-613; EFS file name 20140916_14-321421_IDS_
NPL_cite3.pdf.

“Characterization of Toner Adhesion to Carrier: A Phenomenological
Model,” Maher, conference proceedings of IS&T, NIP10: 1994 Inter-
national Conference on Digital Printing Technologies, pp. 156-159;
EFS file name 20140916_14-321421_IDS_NPL_cite4.pdf.

* cited by examiner



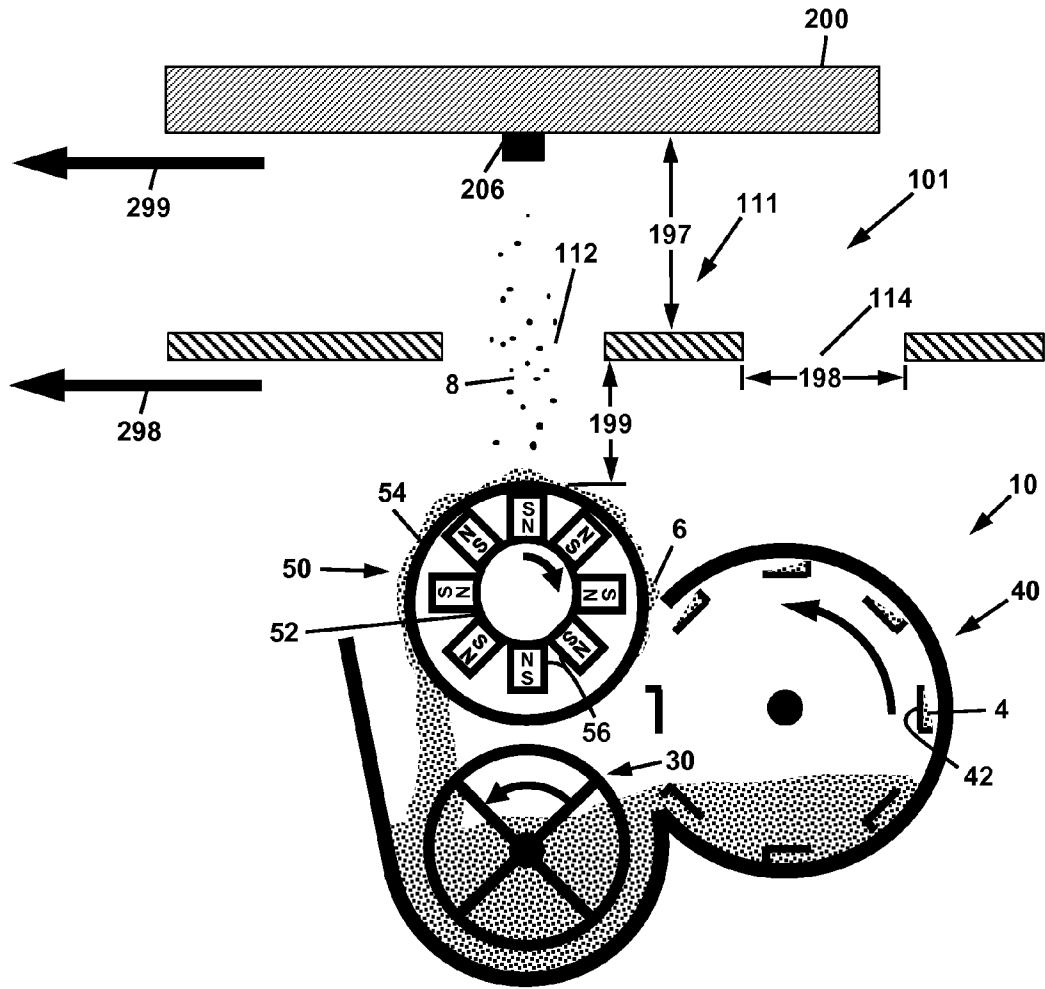


FIG. 3

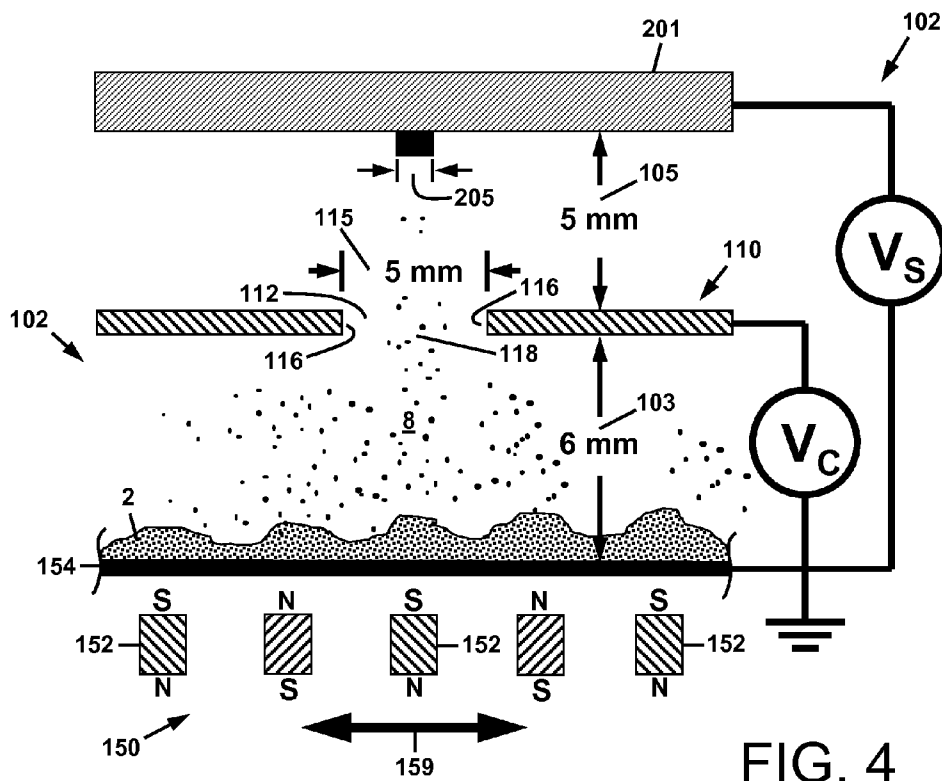


FIG. 4

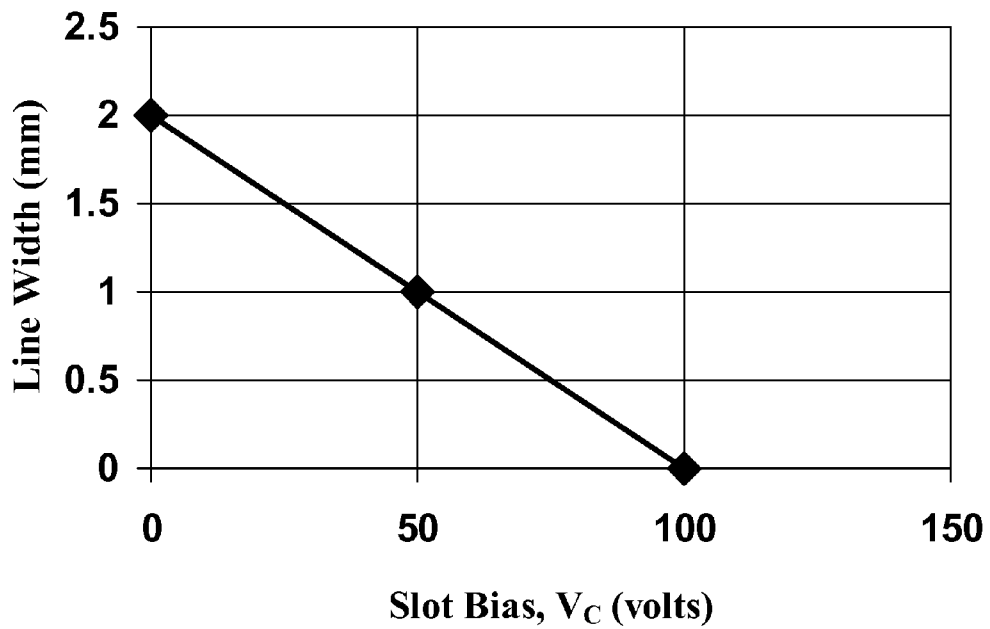


FIG. 5

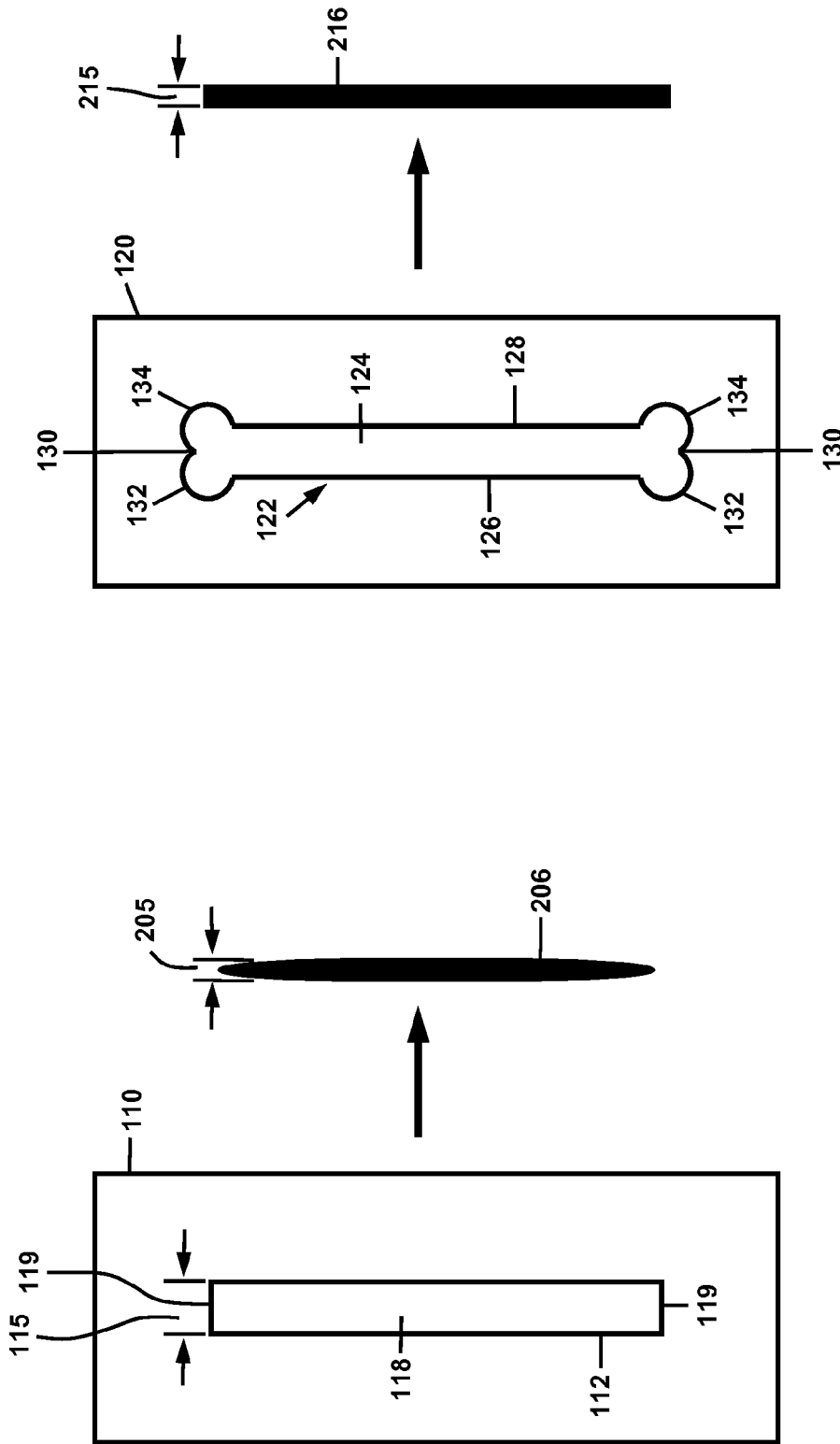


FIG. 6B

FIG. 6A

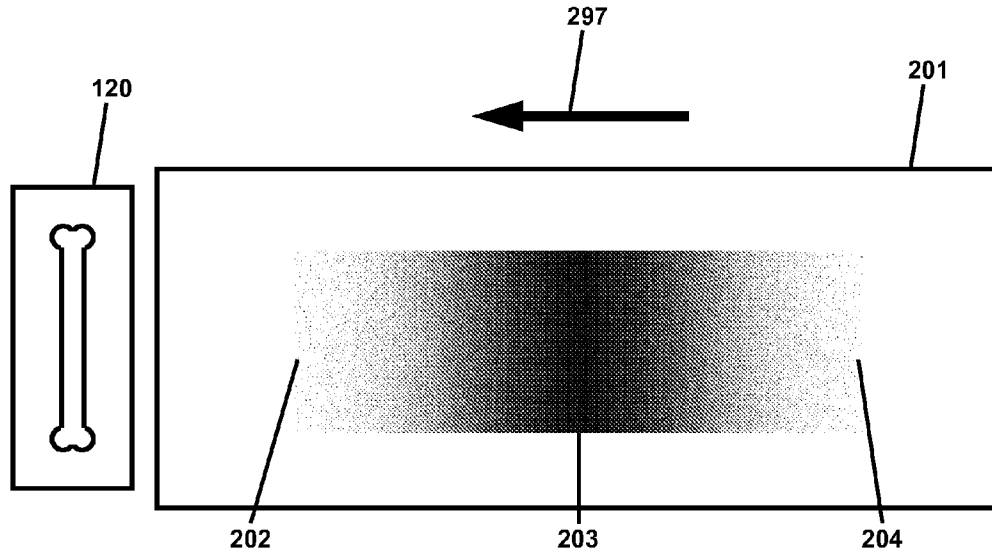


FIG. 7

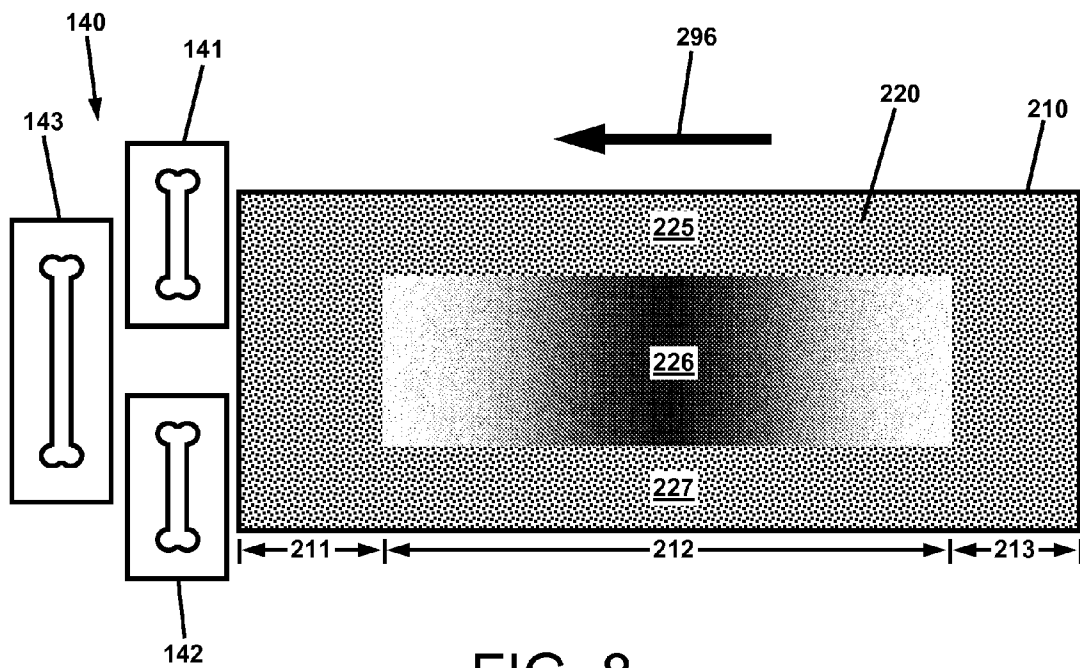


FIG. 8

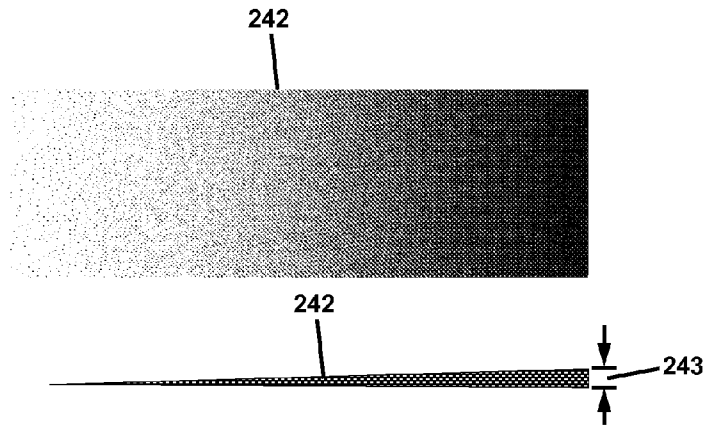


FIG. 9A

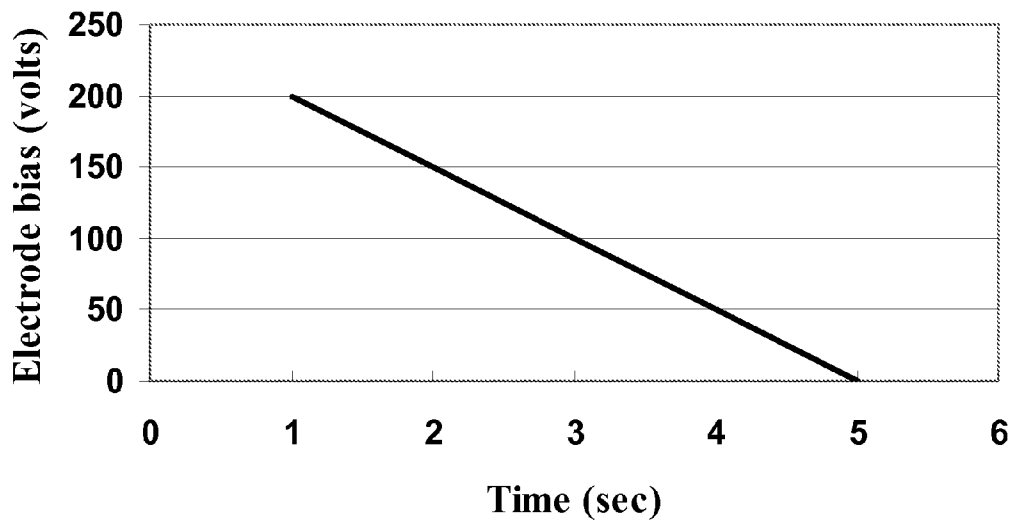


FIG. 9B

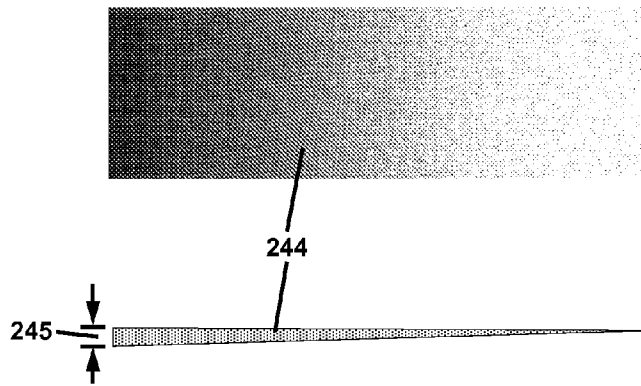


FIG. 10A

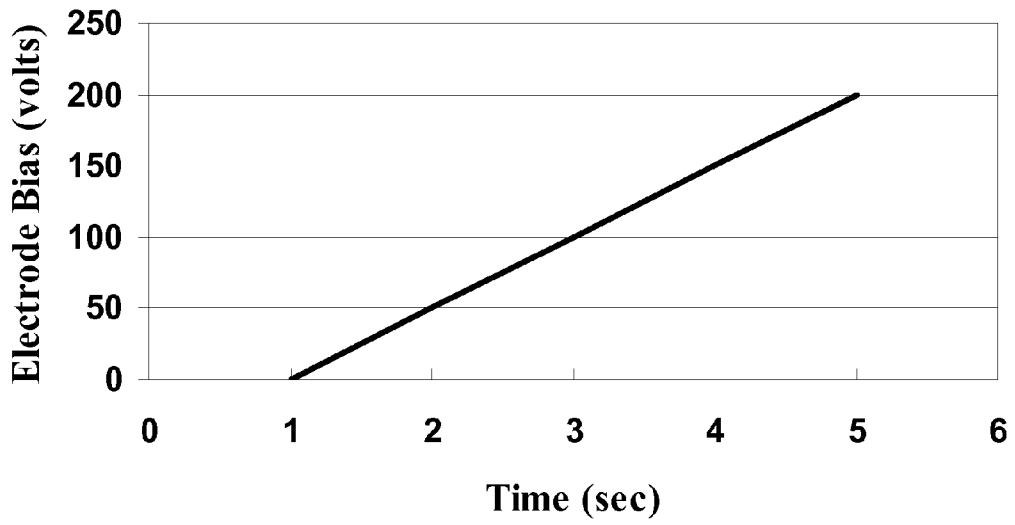


FIG. 10B

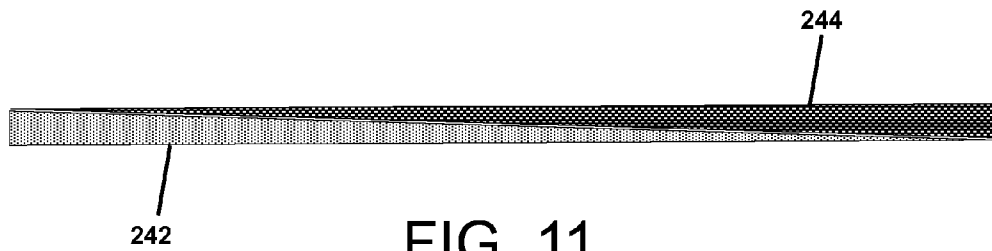


FIG. 11

**DEVICE AND MATERIALS FABRICATION
AND PATTERNING VIA SHAPED SLOT
ELECTRODE CONTROL OF DIRECT
ELECTROSTATIC POWDER DEPOSITION**

**CROSS-REFERENCE TO RELATED PATENT
APPLICATIONS**

This application is a continuation of copending U.S. patent application Ser. No. 13/866,100, filed on Apr. 19, 2013, which claims priority from U.S. Provisional Patent Application No. 61/687,191 filed Apr. 20, 2012, the disclosures of which are incorporated herein by reference.

BACKGROUND

1. Technical Field

Devices for fabrication of three-dimensional objects from powder starting materials.

2. Description of Related Art

Various methods have been proposed to produce information containing documents (text and graphics) through the direct deposition of charged powder onto a substrate such as paper. The direct powder deposition methods enable a simpler process than those generally used in printers that use electrographic technologies. Direct powder deposition methods for producing documents typically require a set of 100 to 600 staggered apertures per inch for pixel level deposition of the powder. Direct powder deposition printing systems have not been commercially successful to date due in large part to inadequate image quality.

Among the relevant patents which disclose direct powder deposition printing of documents are U.S. Pat. No. 3,689,935 of Pressman et al., U.S. Pat. No. 4,491,855 of Fujii et al., U.S. Pat. No. 4,568,955 of Hosoya et al., U.S. Pat. No. 4,743,926 of Schmidlin et al., U.S. Pat. No. 5,038,159 of Schmidlin, et al., the disclosures of which are incorporated herein by reference. In general, these patents disclose controlling the deposition of powder by an aperture electrode structure positioned between a charged powder (toner) source and a print receiving medium.

A number of other similar patents disclose controlling the electric field around each aperture with an electrode structure that has only the control electrode on an insulating support layer in close proximity to the toner source. Among the relevant patents which disclose related teachings are U.S. Pat. No. 5,036,341 of Larsson, U.S. Pat. No. 5,121,144 of Larson et al., and U.S. Pat. No. 5,812,160 of Wada et al., the disclosures of which are incorporated herein by reference.

Additionally, certain publications have disclosed summaries and/or advances in direct printing technology, including "TonerJet Tandem Color has Reached Prototype Stage" of Sandberg in the conference proceedings of the Society for Imaging Science and Technology (IS&T), *NIP14: 1998 International Conference on Digital Printing Technologies*, pp. 180-183; "Dot Formation by Toner Beam from Toner Cloud" of Hoshino et al. in the conference proceedings of IS&T, *NIP15: 1999 International Conference on Digital Printing Technologies*, pp. 598-600; and "Dot Formation Conditions from the Conductive Toner Cloud by Aperture Electrodes" of Zhou et al. in the conference proceedings of IS&T, *NIP21: 2005 International Conference on Digital Printing Technologies*, pp. 610-613.

In all of the above cited patents and publications, the general intent of the literature is to disclose various concepts for pixel level control of direct powder deposition onto an information carrier medium such as paper. The concepts require a

source of toner (charged particles) and a control electrode structure with apertures in close proximity to the toner source. The spacing between the toner source and control electrode structure is a critical parameter that needs to be well-controlled to achieve high image quality. To obtain a well-controlled spacing in the gap between the toner source and control electrode, single component (toner only) development systems and their variants have been used for direct electrostatic deposition printers.

Two-component magnetic brush development systems (i.e., those that have a mixture of toner and magnetic carrier beads that triboelectrically charge the toner) have been widely used in electrophotography for in-contact development of electrostatic latent images formed by either light exposure of charged photoreceptors or gaseous ion controlled deposition onto an electroreceptor. For full-color electrophotographic systems that accumulate the color separations on the photoreceptor through a multiple photoreceptor recharge, expose and develop (READ) process, the development system must be non-interacting to prevent the scavenging and disturbance of previously deposited toner images. Various out-of-contact magnetic brush development systems and materials have been proposed to enable READ full color systems, but have not been commercially adopted due to the difficulties in controlling and maintaining the magnetic brush height. It is also for this reason that out-of-contact magnetic brush development systems have not been proposed for use in direct electrostatic deposition printers.

The carrier beads used in two-component magnetic brush development systems can be made from either soft magnetic or permanently magnetized materials. For soft magnetic carrier beads, the beads can be magnetized by a magnetic field but become essentially unmagnetized in the absence of a magnetic field. The magnetic brush development systems that use such two-component developer mixtures typically have stationary magnets inside a rotating sleeve that provide transport of the developer mixture to the development zone. For developer mixtures that use permanently magnetized carrier beads, the bead materials are selected to become permanently magnetized when subjected to a high magnetic field during a manufacturing process. When two-component developer mixtures with the permanently magnetized carrier beads are used in a magnetic brush development system, rotating magnets inside a stationary or rotating cylinder cause the transport of developer to the development zone. The rotating magnets acting on the permanently magnetized carrier beads causes additional mechanical agitation of the developer mixture that results in the release of some air borne toner.

Among the relevant patents which disclose the use of permanently magnetized materials in magnetic development systems are U.S. Pat. No. 4,546,060 issued to Miskinis et al., and U.S. Pat. No. 5,409,791 of Kaukeinen, et al., the disclosures of which are incorporated herein by reference. Additionally, the publication "Characterization of Toner Adhesion to Carrier: A Phenomenological Model" of Maher in the conference proceedings of IS&T, *NIP10: 1994 International Conference on Digital Printing Technologies*, pp. 156-159, discloses a method for measuring the charge-to-mass ratio of toner mixed with permanently magnetic carrier beads.

The patents and literature cited above describe a wide variety of digital printing technologies for printing information via the controlled placement of charged powder at a resolution of 200 to 800 dots per inch. The high resolution is necessary for printing text and graphics. In recent years, digital printing technologies have been applied to the fabrication of various 3D objects and 2D devices such as printable electronic circuits. For the most part, ink jet printing tech-

nologies are particularly well suited for such applications. However, ink jetting printing is an inherently slow process due to the need to scan ink jet heads over the substrate. Furthermore, the materials composition of the ink sometimes has undesired consequences on the final product.

It is for these reasons that powder based methods have been used for rapid building of devices and materials with particular desired characteristics. A number of patents disclose such methods for rapidly building objects, including U.S. Pat. No. 4,863,538 of Deckard, U.S. Pat. No. 5,204,055 of Sachs et al., and U.S. Pat. No. 6,206,672 of Grenda, the disclosures of which are incorporated herein by reference.

The above disclosures notwithstanding, problems remain unsolved in the fabrication of three-dimensional objects via powder-based fabrication processes. What is needed is an apparatus and method that enable precise and rapid transport and deposition of powders in three-dimensional patterns to thereby form three-dimensional objects.

SUMMARY

In one aspect of the present disclosure, a method is provided for device and materials fabrication via patterned charged powder deposition enabled by either a shaped slot or multiple shaped slot openings in either an electrode or multiple electrodes that control the direct deposition of charged powder from one or more powder sources onto a substrate. The method may be used for adding multiple layers having different patterns in order to build up an object. The invention disclosed herein provides a simpler and more efficient method for fabricating various devices and materials. The method is compatible with a range of powder materials including polymers and ceramic materials, for example. The powder source can be provided by any of a number of methods that can generate a powder cloud.

In accordance with the present disclosure, there is also provided an apparatus for the fabrication of devices and materials using either a shaped slot or multiple shaped slot openings in either an electrode or multiple electrodes that control the direct deposition of charged powder from one or more powder sources onto a substrate. The shaped slot electrode or an array of shaped slot electrodes is positioned between a charged powder source and an electrically biased substrate. The charged powder source may be provided by a magnetic brush development system such as disclosed in U.S. Pat. No. 4,546,060 and widely used in electrophotography for powder charging and transport to a coating or deposition zone.

One suitable magnetic brush development system utilizes a mixture of the coating powder and permanently magnetized carrier beads. The powder may be either insulating or charge relaxable, and the powder deposition may be obtained on either an insulative or conductive biased substrate. In the case of an insulative substrate, a conductive electrode behind the substrate is electrically biased to attract the charged powder. The method may also be used for adding multiple layers with the same or different powders having different patterns in order to build up a shaped part. In one method, the shaped part can be formed by multiple passes with a single charged particle source. Upon each pass, either the same or different electrode structures and either the same or different powders are used in combination with the single charged particle source. For a much higher manufacturing rate, multiple charged particle deposition systems can be used in tandem to build a shaped part with different powder materials and electrode structures.

For the case of a single electrode with either a single shaped slot electrode or multiple shaped slots, the amount of powder

deposition may be controlled by varying either the bias voltage on the slot electrode or the substrate bias. For multiple shaped slot electrodes, the powder deposition on the substrate may be individually controlled by varying the bias voltages on the individual electrodes.

The shaped slot electrode or array of such electrodes may be made stationary relative to either the powder source or moving substrate. In either case, variable deposition onto a substrate in the process direction may be obtained by controlling the electrical bias on the shaped slot electrode or array of such electrodes. When the shaped slot electrode or array of such electrodes are stationary relative to the moving substrate, the patterned powder deposition is according to an out-of-contact stencil or mask.

More particularly, the present invention meets the aforementioned need by providing an apparatus for fabricating an object. The invention can be illustrated by describing the fabrication of an object with a first charged powder cloud generating system containing a first charged powder, and a second charged powder cloud generating system containing a second charged powder. The electrode structures in proximity to the first and second powder cloud generating systems are comprised of one or more electrode structures that have either a single shaped slot or multiple shaped slots, and voltage supplies in communication with the electrodes. For a charged powder cloud generating system with only two electrode structures, the voltage supplies are configured to apply a bias voltage to the one electrode and a second bias voltage to the other electrode to thereby independently meter a first portion of charged powder through the first electrode structure and a second portion of charged powder through the second electrode structure.

The apparatus may be further comprised of a drive for translating the substrate to receive charged powder depositions from stationary charged powder cloud generating systems and electrode structures. In such a configuration, the shaped slots in the electrode structures have longitudinal axes perpendicular to the direction of relative motion of the substrate. The apparatus may include means for consolidating the first portion of charged powder and the second portion of charged powder on a substrate.

The apparatus may include a voltage control system that monitors the position of the substrate so that time-dependent bias voltages supplied to the different electrode structures can be timed to provide the desired powder depositions on the substrate. The bias voltage applied to each electrode structure associated with each charged powder cloud generating system is programmed to have a unique time-dependent profile that provides the desired powder deposition profile on the moving substrate.

In accordance with the invention, there is also provided a method for fabricating an object comprising the steps of causing the formation of at least one cloud of charged powder proximate to a shaped slot or multiple shaped slot openings in an electrode or multiple electrodes, the electrode or multiple electrodes disposed between the cloud and a substrate positioned to receive a portion of the charged powder; applying a first bias voltage to the shaped slot electrode to cause flow of charged powder through the shaped slot, and applying a second bias voltage to the conductive substrate to cause attraction of charged first powder onto the substrate to form a first part of the object. The first and/or second bias voltages may be variable, and may vary as a function of time. In embodiments employing multiple shaped slot openings in an electrode or multiple electrodes, the method may further comprise applying different time-dependent bias voltages to the different

shaped slots of electrodes to cause flow of the same or different charged powder onto the substrate to form additional parts of the object.

The method may further comprise consolidating the different portions of charged powder on the substrate to form the different parts of the object. The method may further comprise moving the substrate relative to the electrode structures. The substrate may be moved past the single or multiple electrode structures at least two times, thereby depositing additional powder layers with the same charged powder source and same single or multiple electrode structures. The method may further comprise independently varying the bias voltages of multiple electrode structures.

The method may include causing the formation of a first cloud of first charged powder proximate to a first shaped slot electrode or first multiple shaped slot electrodes and applying first bias voltage to the first shaped slot or first bias voltages to first multiple shaped slot electrodes to cause flow of a first portion of the first charged powder through the electrodes and onto the substrate; and causing the formation of a second cloud of second charged powder proximate to a second shaped slot electrode or second multiple shaped slot electrodes and applying second bias voltage to the second shaped slot or second bias voltages to second multiple shaped slot electrodes to cause flow of a second portion of the first charged powder through the electrodes and onto the substrate.

BRIEF DESCRIPTION OF THE DRAWINGS

The present disclosure will be provided with reference to the following drawings, in which like numerals refer to like elements, and in which:

FIG. 1 is a schematic illustration of a magnetic brush development system with mixture of powder and permanently magnetized beads;

FIG. 2 is a schematic illustration of powder deposition onto a moving substrate with stationary slot shaped electrode;

FIG. 3 is a schematic illustration of powder deposition onto a moving substrate with a synchronous moving slot shaped electrode (stencil);

FIG. 4 is a schematic illustration of an alternative powder deposition apparatus with a stationary slot shaped electrode and stationary biased conductive substrate;

FIG. 5 is a graph of line width of powder deposition as a function of the slot shaped electrode bias for a stationary substrate;

FIG. 6A is an illustration of line shape of powder deposition resulting from a rectangular shaped slot electrode positioned proximate to a stationary substrate;

FIG. 6B is an illustration of line shape of powder deposition resulting from an alternatively shaped slot electrode positioned proximate to a stationary substrate;

FIG. 7 is an illustration of variable powder deposition via stationary shaped electrode bias control during substrate translation to obtain a desired powder deposition profile;

FIG. 8 is an illustration of multiple slot electrodes arranged perpendicular to the direction of the powder deposition process, which may be used to deposit multiple powders onto a substrate;

FIG. 9A is an illustration of linear powder deposition of type 1 powder in the direction of the powder deposition process when the voltage on a stationary slot electrode is varied linearly with time from a high to low bias as the substrate is moving at a constant speed;

FIG. 9B is a graph of the voltage on the stationary slot electrode that is varied linearly from a high bias to a low bias, resulting in the powder deposition illustrated in FIG. 9A;

FIG. 10A is an illustration of linear powder deposition of type 2 powder in the direction of the powder deposition process when the voltage on a stationary slot electrode is varied linearly with time from a low to high bias as the substrate is moving at a constant speed;

FIG. 10B is a graph of the voltage on the stationary slot electrode that is varied linearly from a low bias to a high bias, resulting in the powder deposition illustrated in FIG. 10A; and

FIG. 11 is an illustration of the combined profiles of type 1 and type 2 deposited powders of FIGS. 9 and 10 to produce an overall uniform thickness.

The present invention will be described in connection with certain preferred embodiments. However, it is to be understood that there is no intent to limit the invention to the embodiments described. On the contrary, the intent is to cover all alternatives, modifications, and equivalents as may be included within the spirit and scope of the invention as defined by the appended claims.

DETAILED DESCRIPTION

For a general understanding of the present invention, reference is made to the drawings. In the drawings, like reference numerals have been used throughout to designate identical elements. It is to be understood that the overall scale of the drawings and the relative sizes of particular features are as shown for the sake of clarity of illustration, and may vary from that shown.

The inventions disclosed herein may be used for fabrication of a wide variety of devices and materials by using shaped slot electrode control of direct electrostatic powder deposition. To fully illustrate the process, a detailed description with certain preferred embodiments are provided. The deposition process of the invention involves an advantageous configuration between the elements of a charged powder source, shaped slot electrode(s) and a powder deposition substrate.

In certain embodiments, the charged powder source may be provided by a magnetic brush development system as widely used in electrophotography for powder charging and transport to a deposition zone. One preferable magnetic brush development system utilizes a mixture of the deposition powder and permanently magnetized carrier beads as disclosed in U.S. Pat. No. 4,546,060, the disclosure of which is incorporated herein by reference. The magnetic carrier particles comprise a magnetic material exhibiting hard magnetic properties as characterized by a coercivity of at least 300 gauss and exhibit an induced magnetic moment of at least 20 emu/g when in an applied field of 1000 gauss.

FIG. 1 is a schematic illustration of such a magnetic brush development system 10 comprised of a sump 20, a cross mixer 30, a paddle wheel elevator 40, and a magnetic brush roll assembly 50. The system 10 is configured to provide charged powder for transport and deposition on a substrate for the formation of objects, as will be described subsequently herein.

In the operation of system 10, the cross mixer 30 is rotated in the sump 20, which contains the mixture 2 of deposition powder and permanently magnetized carrier beads. The rotation of the cross mixer 30 in the mixture 2 provides mechanical energy to the mixture 2 for the purpose of triboelectrically charging the powder if it is insulating. The cross mixer 30 furthermore moves the mixture 2 from side to side in the sump to maintain a uniform level of the mixture in the sump,

thereby resulting in a uniform transfer of powder across the powder deposition width on to a substrate as will be explained subsequently.

The paddle wheel elevator **40** receives a portion **3** of the mixture **2** from sump **20** by the action of cross mixer **30**. Paddles **42** are fastened to a rotating drive (not shown) such that paddles **42** dip into the mixture **2**, and capture samples **4** of the mixture **2**. The samples **4** are conveyed to a metering zone **45** proximate to the magnetic brush roll assembly **50**, which is comprised of a rotatable magnetic core **52** and an outer nonmagnetizable conductive shell **54** that is generally maintained at a grounded electrical bias. As a sample **4** passes into the metering zone **45**, at least a portion **6** of the sample **4** is transferred onto the surface of the outer nonmagnetizable conductive shell **54**.

The rotatable magnetic core **52** is offset (upwardly in FIG. 1) from the central axis **53** of the nonmagnetizable conductive shell **54** so that the portions **6** of the mixture can be released to the cross mixing sump **20** after the portions pass through a powder cloud generation zone **55**. Magnets **56** of the rotatable magnetic core **52** attract the portions **6** of the mixture through the metering zone **45** to the surface of the nonmagnetizable conductive shell **54** and form bristles of mixture (not shown) in the proximity of each magnetic pole **57**. Rotation of the magnetic core **52** in the clockwise direction causes the portions **6** of the mixture to tumble and transport in the counter-clockwise direction as indicated by arrow **59**.

Along any circumferential location on the surface of the outer nonmagnetizable conductive shell **54**, the magnetic field oscillates due to the circular trajectories of the magnetic poles **57** that result from rotation of the rotatable magnetic core **52**. The magnetic field oscillations caused by the rapid circular motions of the magnetic poles **57** cause the portions **6** of the mixture that are on the surface of the outer nonmagnetizable conductive shell **54** to move vigorously in a wave motion having crests and troughs.

Furthermore, the vigorous mechanical energy supplied to the mixture causes the generation of a cloud **8** of charged powder proximate to the surface of the nonmagnetizable conductive shell **54**. The powder cloud **8** forms when powder from the portions **6** of the mixture is separated from the permanently magnetized carrier beads, which are retained on the nonmagnetizable shell conductive **54** by the magnetic field from the rotatable magnetic core **52**. When such powder is in a cloud **8**, relatively weak electric fields can be used to cause motion of the powder away from the nonmagnetizable conductive shell **54**. In contrast, if no means of forming a charged powder cloud were present, and the charged powder simply resided on the surface of the nonmagnetizable conductive shell **54**, much higher electric fields would be required to detach the powder particles for subsequent transport away from the nonmagnetizable conductive shell **54**.

The magnetic bead particles used in the mixture **2** may be either insulating, semiconducting or conducting. Polymeric coatings may be applied to the core bead material to control the triboelectric charging properties of the coated beads when mixed with insulative powder. Examples of core bead materials include gamma ferric oxide, barium ferrite and strontium ferrite. In certain embodiments, the average diameter of the magnetic beads may be in the range of 10 to 200 micrometers (μm). In other embodiments, the average diameter of the magnetic beads may be in the range of 20 to 1000 μm . In certain embodiments, the mixture of powder and magnetic carrier beads is comprised of at least about 60 weight percent of magnetic bead particles.

The powder used in the mixture **2** may also be insulating but charge relaxable such that the powder tends to be insulat-

ing during the process of triboelectric charging in the magnetic brush system **10** and deposition of powder from the cloud **8** onto the substrate, but upon sufficient dwell time on the substrate and/or subjecting the powder to an ambient such as moisture, the charge on the deposited powder relaxes (dissipates). Examples of insulative and charge relaxable powders include various polymeric materials, mixtures of such materials with pigments or dyes, ceramic powders, charge relaxable coatings on polymeric and ceramic powders, etc. Blends of such powders may also be used in the magnetic brush deposition system **10**. In certain embodiments, the preferred charge relaxable powder may have a relaxation time in the range of about 100 milliseconds. As used herein, the term "relaxation time in reference to charged powders is the amount of time required for charge on the powder to decrease to a fraction of $1/e$, or 0.37 since $e=2.72$.

Alternative configurations commonly used in the reprographics industry may also be used in place of the system **10** described above. Non-contact systems such as single component development systems with AC biased rolls or wire electrodes and others may be used.

The Applicants have discovered that by providing certain configurations of shaped slot electrodes and using either insulating or charge relaxable powders, repeated sequential depositions of such powders from a magnetic brush deposition system **10** may be made onto a substrate to repeatedly build a three-dimensional object with spatially varying material properties. This is best understood with reference to FIGS. 2-11.

Referring first to FIG. 2, one configuration of a powder deposition system **100** is shown in which a slot shaped electrode **110** is positioned between a powder cloud source **8** from a magnetic brush powder deposition system **10** and a biased substrate **200**. In this configuration, the control electrode **110** is stationary relative to the magnetic brush system **10**. The electrical bias provided by a voltage source (not shown) on the electrode **110** relative to the nonmagnetizable shell **54** may be varied to control the passage of charged powder **8** through the slot **112**.

The substrate **200** may be electrically conductive. The conductivity of the substrate may result from bulk conductivity of the substrate, or alternatively, the substrate may be comprised of a conductive backing electrode layer (not shown) on a surface thereof. In certain embodiments, the conductivity of the substrate or its backing electrode layer may be of at least about 10^{-8} Siemens per meter. In certain embodiments, the conductive backing electrode layer may further include an insulating or charge-relaxable overcoating (not shown). In such a substrate configuration, the charged powder is deposited on the insulating/charge-relaxable overcoating side of the substrate.

If the substrate **200** is electrically conductive, or if the substrate is insulative but has a conductive backing electrode, the substrate electrical bias voltage is of such polarity and magnitude to electrostatically attract the charged powder **8** towards the substrate **200** as indicated by arrow **9**. The electrical bias on the substrate **200** provides a weak fringe electric field that extends into the slot **112** in the region **7** between the powder source and the slot electrode **110**. In the absence of an electric field from an electrical bias voltage on the slot shaped control electrode **110** relative to a ground potential on shell **54**, powder in the cloud **8** that is proximate to the magnetic brush powder system **10** is electrostatically attracted by the electrical bias on the substrate **200** and focused in the central area **113** of the slot electrode **110** to cause deposition or

powder onto the substrate **200**. If the biased substrate **200** is stationary, the width of the deposited powder **206** is less than the width of the slot **112**.

If an electrical bias voltage with the same polarity as that of the charged powder **8** is applied to the slot shaped electrode **110**, the rate for which the charged powder **8** passes through the slot **112** can be controlled with a relatively low range of electrical bias voltage. With increasing back bias, the width of the powder deposition **206** relative to the slot **112** also decreases, even to the point of no powder deposition on the substrate **200**. In certain embodiments, the bias voltage of the same polarity as that of the charged powder may be between about zero to about 500 volts.

If the substrate **200** is moving during powder deposition as indicated by arrow **299**, the amount of powder **206** (i.e., the powder mass per unit area) deposited on the substrate **200** can be controlled by varying the electrical bias on the slot shaped electrode **110** as a function of time. Other powder layers of the same or different powder material can be superimposed on top of or adjacent to previously deposited powder **206**. In certain embodiments, this may be accomplished by providing additional development systems (not shown) and slot electrodes (not shown) positioned along the path of the moving substrate. In that manner, a 'shaped' layer of powder can be formed on the substrate. The thickness of the powder layer **206** that is deposited proximate to a particularly long uniform slot **112** is also uniform in the direction of the axis **53** of the rotatable nonmagnetizable shell **54**, but may be varied in the direction of the motion **299** of the substrate **200** by varying the electrical bias on the slot shaped electrode **110**. The substrate **200** may be substantially planar, and may be provided in the form of a web. A web substrate may be unwound from a first roll (not shown), passed by the system **100** to receive charged powder, optionally treated with a heat and/or pressure fuser system (not shown) to consolidate the received charged powder, and rewound on a second roll (not shown).

The capability to build thick powder layers with charged powder is facilitated with the use of charge relaxable powders. It should also be noted that although FIG. **2** shows movement in one process direction **299**, the biased substrate can also be moved in the lateral direction (i.e., into or out of the plane of FIG. **2**) as well. Accordingly, in an embodiment comprising an electrode (not shown) having a single circular hole instead of an elongated slot, a line of powder of any shape could be written on the substrate, with the substrate attached to a computer controlled stage (not shown) for movement in any direction. In certain embodiments, the slot **112** of the electrode **110** may have an elongated shape with a longitudinal axis perpendicular to the process direction **299**.

The illustration of FIG. **2** depicts an electrode **110** comprising only a single slot **112**. However, it is to be understood that a single electrode structure may have multiple slots of various shapes along the axis of the magnetic brush system **10**. For the configuration of either a single or multiple slots in an electrode, the amount of powder deposition may also be controlled by varying the electrical bias on the substrate while maintaining a constant electrical bias on the slot(s) electrode that allows for the passage of charged powder **8**. However, a configuration in which electrodes surrounding multiple shaped slots enable independent electrical bias control of charged powder deposition requires a constant electrical bias on the substrate.

Referring to FIG. **3**, another configuration of a powder deposition system **101** is shown in which slot shaped electrode structure (stencil) **111** is stationary relative to the biased substrate **200**. Although FIG. **3** depicts the electrode structure **111** and substrate **200** moving together (arrows **299** and **298**)

relative to the stationary magnetic brush system **10**, in an alternative configuration (not shown), the electrode structure **111** and substrate **200** may be stationary while the magnetic brush system **10** is moving. Thus in general, the system **101** is operable with relative motion occurring between the magnetic brush system **10** and the substrate **200** and stencil electrode structure **111**.

The stencil electrode **111** is comprised of a plurality of openings **112**, **114**, and others (not shown). The openings **112**, **114**, etc., may be of varying shape including but not limited to rectangular slots, squares, circles, and the like. (Hence the use of the term "stencil"). Operating the stencil electrode **111** with variable electrical bias enables a powder deposition pattern onto substrate **200** according to the shape of the openings **112**, **114**, etc. in the stencil. It is noted that the stencil electrode **111** is spaced from the substrate **200** such that multiple depositions may be performed with the same or different powders. Variable amounts of powder deposition on the moving substrate **200** in the process direction **298** may be obtained by controlling the electrical bias on the stencil electrode **111** or an array (not shown) of such electrodes.

In certain embodiments, the spacing **199** between the non-magnetizable conductive shell **54** and the patterned electrode **111** may be between about 0.5 and about 2 centimeters (cm). In certain embodiments, the width **198** of the slots in the patterned electrode **111** in the process direction may be between about 0.2 to about 2 cm. In certain embodiments, the spacing **197** between the patterned electrode **111** and the substrate **200** may be between about 0.5 and about 3 cm. In certain embodiments, the bias voltage of the substrate **200** is of opposite polarity to that of the charged powder, and may be in the range of 0 to 5000 volts. In certain embodiments, the bias voltage of the patterned electrode **111** is of the same polarity as that of the charged powder, and may be between about zero to about 500 volts. The flow of powder **8** to the substrate **200** may be controlled by varying the electrical bias on either the substrate **200** or the patterned electrode **111** as a function of time. The above range of parameters described in connection with system **101** in FIG. **3** are also applicable to system **100** shown in FIG. **2**.

FIG. **4** is a schematic illustration of an alternative powder deposition apparatus for charged powder deposition with a slot shaped electrode and stationary biased conductive substrate. In FIG. **4**, exemplary parameters are provided for spacings from and voltages applied to the slot electrode **110**. It is to be understood that such parameters are meant to be illustrative of one embodiment of the instant powder deposition method and apparatus, and are not limiting.

As an alternative to the magnetic brush powder deposition systems **100** and **101** of FIGS. **2** and **3**, a powder deposition system **102** is illustrated in FIG. **4**. The system **102** is comprised of a linear array **150** of permanent magnets **152** that are mounted on a fixture (not shown). The fixture is operatively coupled to driving means (not shown) that is configured to drive oscillating motion of the magnets **152** as indicated by bidirectional arrow **159**. The array of magnets **150** is positioned under a nonmagnetic conductive (grounded) tray **154** containing a mixture **2** of charged powder and permanently magnetized beads. The oscillating magnets **152** agitate the mixture **2** in a manner similar to that described previously for a magnetic brush system, such as system **10** of FIGS. **2** and **3**.

The system **102** is further comprised of a uniformly wide slot in electrode **110** connected to an electrical power supply that provides an electrical bias voltage of V_c to the electrode **110**. In certain embodiments, the slot **112** of the electrode may have a width **115** of 5 millimeters (mm). The slot electrode **110** may have a spacing **103** of 6 mm from the tray **154**

11

of powder mixture **2**. The slot electrode **110** may have a spacing **105** of 5 mm from the substrate **201**, which is electrically biased at a voltage of V_s . In certain embodiments, the substrate **201** may be conductive. In one embodiment, the substrate **201** is made of stainless steel.

The powder mixture **2** is comprised of powder that has been mixed with permanently magnetized beads. In certain embodiments, the average particle diameter of the powder is 12 μm , and the average particle diameter of the beads is 40 μm . The powder concentration of the mixture **2** may be 8% by weight. In one demonstration of the deposition system **102**, the mixture **2** of powder and beads was tumbled in a rotating jar to triboelectrically charge the powder to a charge-to-mass ratio of +18 $\mu\text{C/g}$.

FIG. **5** shows a plot of the line width **205** of deposited powder as a function of the slot bias voltage V_c for operation of the system **102** when the electrical bias voltage on the substrate, V_s , was -1550 volts. The negative polarity provides an attractive electrostatic force acting on the positively charged powder **8**. For $V_c=0$, the width **205** of the line of deposited powder was only 2 mm, as compared to the slot width **115** of 5 mm. Without wishing to be bound to any particular theory, the Applicants believe that the smaller width **205** of the deposited powder is due to a fringe electric field in the peripheral regions **116** of the slot **112**, which focuses the charged powder **8** in the central region **118** of slot **112**. For a V_c electrical bias of only 100 volts, no deposition of powder was observed on the substrate. Thus it was demonstrated that a relatively low bias voltage V_c and correspondingly low controlling electric field is effective in controlling the passage of charged powder through slot shaped electrodes for deposition onto a substrate.

FIG. **6A** is an illustration of line shape of a powder deposition resulting from a rectangular shaped slot electrode positioned proximate to a stationary substrate, and FIG. **6B** is an illustration of line shape of a powder deposition resulting from an alternatively shaped slot electrode positioned proximate to a stationary substrate. In FIGS. **6A** and **6B**, the respective substrates upon which the powder is deposited are not shown. Referring first to FIG. **6A**, it can be seen that the width **205** of the deposition **206** is less than the width **115** of the slot **112** (see also FIG. **4**) in the central region **118**. Additionally, near the opposed ends **119** of the slot **112**, the width **205** of the deposition tapers to a lesser width, becoming "cigar shaped," i.e. having the shape of an ellipse with a high aspect ratio.

In contrast, the Applicants have discovered that by altering the rectangular slot **112** of electrode **110**, the shape of the powder deposition can be made to approximate a rectangle. Referring to FIG. **6B**, in the embodiment depicted therein, an electrode **120** is provided having a slot **122** that is comprised of a central section **124** having opposed parallel edges **126** and **128**, and opposed modified ends **130**. The modified ends are comprised of adjacent arcuate sectors **132** and **134**, which are intersected by opposed parallel edges **126** and **128**, respectively. The slot **122** may thus be characterized as having a "dog bone" shape. The width **215** of a deposition **216** through slot **122** of electrode **120** has been found to be substantially constant, i.e., the deposition **216** onto the substrate (not shown) is rectangular shaped. Thus it is demonstrated that the end shape of a slot of an electrode may be configured to provide a well-defined powder deposition at the end of the slot as well as along its central region. Advantageously, the capability of obtaining well-defined deposition ends enables the fabrication of higher quality devices and materials when using multiple depositions of the same or different powders.

FIG. **7** is an illustration of variable powder deposition via stationary shaped electrode bias control during substrate

12

translation to obtain a desired powder deposition profile. In the embodiment depicted in FIG. **7**, the "dog bone" shaped slotted electrode **120** of FIG. **6B** is used to control the powder deposited on a moving substrate. The electrode **120** may be configured in a system such as shown in the deposition system **100** of FIG. **2**, or other deposition systems having other charged powder cloud generating devices.

As the biased substrate **201** is translated at a uniform speed past the stationary slotted electrode **120** as indicated by arrow **297**, the electrical bias voltage is varied on the electrode **120** in order to provide a desired amount of powder deposition on the substrate in the process direction **297**. In FIG. **7**, the relative amount of powder deposited is shown by a density gradient. To the left of region **202** of the substrate **201**, the bias voltage is maintained sufficiently high to prevent deposition of powder. Then the bias voltage is gradually decreased to a minimum at region **203**, resulting in a maximum amount of powder deposited; and the bias voltage is then increased up to region **204** to a level which again prevents the deposition of powder.

In certain embodiments, multiple devices may be simultaneously produced from multiple depositions through the use of multiple "dog bone" shaped slots arrayed above the magnetic brush powder deposition system perpendicular to the process direction. Additionally, the speed of translation of the substrate may also be varied in order to control the thickness of powder deposition on the substrate.

Shaped slotted electrodes of an alternative embodiment of a powder deposition system from which two powders are deposited onto a moving substrate is depicted in FIG. **8**. The slotted electrodes **140** may be used with powder cloud generating devices shown in the deposition system **100** of FIG. **2**, or other deposition systems having other charged powder cloud generating devices. The slotted electrodes **140** are comprised of shaped slots as shown in FIG. **6B**, which are arranged perpendicular to the direction of motion of the substrate indicated by arrow **296**.

Shaped slot electrodes **141** and **142** in FIG. **8** are utilized with a first powder in the first deposition system such as system **100** in FIG. **2**. The first deposition system comprised of shaped slot electrodes **141** and **142** is used to deposit a first powder on the substrate in the pattern of the outer longer regions of rectangle **220**. The shaped slot electrode **143** is utilized for both the deposition of a first powder and a second powder in a second deposition system as depicted in FIG. **2**. The first deposition system comprised of shaped slot electrode **143** is used to deposit the first powder on the substrate at the ends of rectangle **220**. The second deposition system comprised of shaped slot electrode **143** is used to deposit a second powder on the substrate in the pattern of the inner rectangle **230**. In the powder deposition systems (not shown), there is provided a first powder development device containing a mixture of the first powder and permanently magnetized carrier beads, and a second powder development device containing a mixture of the second powder and permanently magnetized carrier beads. Each of the first and second powder deposition devices is configured to be able to deposit powder across the entire width of the substrate **210**. Various powder patterns of the first powder and the second powder may be deposited by the separate operation of shaped slot electrode segments **141-143** to produce three-dimensional objects on a substrate. To accomplish this, a bias voltage control system (not shown) is provided by which the voltages on the multiple shaped slot electrode slot segments **141-143** may be independently varied.

The powder pattern of FIG. **8** is a simple example of a powder pattern comprising first and second powders from

13

first and second charged powder deposition systems. Shaped slot electrode segments **141** and **142** are configured to deposit the first powder from a first powder cloud generating system (not shown), and shaped slot electrode segment **143** is configured to deposit both the first powder and the second powder from a first and second powder cloud generating systems (not shown). The powder pattern on substrate **210** may be deposited in three steps as the substrate **210** is translated past different combinations of the shaped slot electrodes **140**.

In a first step, the leading region **211**, the central region **212**, and the trailing region **213** of substrate **210** are translated past shaped slot electrode segments **141** and **142** in proximity to a first powder deposition device containing a first powder of desired properties. Electrodes **141** and **142** are operated at a low bias voltage such that the first powder is deposited on the substrate **210** in the outer portions **225** and **227** of substrate **210**.

In a second step, the shaped slot electrodes **141** and **142** on the first powder deposition device are replaced with the shaped slot electrode **143**. Prior to the beginning of the leading region **211**, the shaped slot electrode **143** is maintained at a high bias so that powder is not deposited before the leading region **211**. In the leading region **211**, the electrode **143** is switched to a low bias to provide powder deposition while the leading region **211** is traversed past the shaped slot electrode **143**. Then as the central region **212** is traversed past the shaped slot electrode **143**, the bias on electrode **143** is maintained at a high bias to prevent the deposition of the first powder in the central portion **226** of the central region **212** of the substrate **210**. Then as the trailing edge region **213** is traversed past the shaped slot electrode **143**, the electrode **143** is switched back to a low bias to provide powder deposition. At the end of the trailing region **213**, the electrode **143** is switched to a high bias to prevent powder deposition. Following the completion of steps one and two, the peripheral portion **220** on substrate **210** is coated with the first powder, while the central portion **226** remains uncoated.

In a third step, the electrode **143** is utilized in combination with the second powder in the second powder cloud generation system as shown in FIG. 2. Prior to the beginning of the leading region **211**, the shaped slot electrode **143** is maintained at a high bias so that the second powder is not deposited before the leading region. As the region **211** is traversed past the shaped slot electrode **143**, the electrode **143** continues to be maintained a high bias to prevent powder deposition. Then as the central region **212** is traversed past the shaped slot electrode **143**, the central slotted electrode segment **143** is operated with the bias voltage being varied as described previously and shown in FIG. 7, i.e. from a high bias voltage to a low bias voltage, and back to a high bias voltage, resulting in an increasing powder thickness to a maximum, and back down to a minimum in the central portion **226**. Then as the trailing edge region **213** is traversed past the shaped slot electrode **143**, the electrode **143** is switched back to a low bias to provide powder deposition. At the end of the trailing region **213**, the electrode **143** is maintained at a high bias to prevent powder deposition. Following the completion of steps one, two, and three, both peripheral portion **220** and central portion **226** on substrate **210** are coated with the first powder and second powder, respectively, as illustrated in FIG. 8.

By way of further explanation, the powder coating depicted in FIG. 8 was obtained in three steps using first and second powder in first and second charged powder cloud generating devices in combination with different electrode structures. Alternatively, the same powder deposition illustrated in FIG. 8 can be obtained by the use of three separate powder cloud generating devices, each with appropriate powder content

14

and shaped slot electrodes. Furthermore, multiple passes of the substrate past powder cloud generating systems may be performed, such that similar powders can be superimposed on top of previously deposited powder in the same or different pattern as dictated by the shaped slot electrode and electrode voltage versus time profile. In general, different powders may be deposited by either replacing the mixture of powder and permanently magnetized beads in the sump or using multiple deposition units.

In order to complete the fabrication of a device or material, it may be necessary to subject the device/material to heat or heat under pressure. This heating may serve to ablate or burn away any polymer that was added to create a desired triboelectric charging property of the powder. Alternatively, each layer of powder may be transferred electrostatically from the substrate to another device so that the part is built up on this second device and the substrate only has one layer upon its surface at any given time. In this case, the powders may be caused to transfer and/or be consolidated (i.e. fused together) by heat and pressure on the substrate to which the layers are transferred.

FIGS. 9A-11 illustrate a powder deposition pattern in which two powders are deposited using a variable bias scheme to create a layer of constant total thickness. Over the length of the deposition, the thickness of the first powder increases continuously, while the thickness of the second layer decreases correspondingly.

Referring first to FIG. 9A, a substrate (not shown) is translated past a first slot electrode (not shown) that is used to meter the deposition of a first powder **242** from a first charged powder deposition system by varying the bias voltage as described previously. For a positive charged powder, the positive bias voltage on the slot shaped electrode is decreased linearly as shown in FIG. 9B, resulting in a powder thickness increase from zero to a maximum thickness **243**.

Referring now to FIG. 10A, the substrate (not shown) is translated past a second slot electrode (not shown) that is used to meter the deposition of a second powder **244** from a second charged powder deposition system by varying the bias voltage as described previously. For a positive charged powder, the positive bias voltage on the slot shaped electrode is increased linearly as shown in FIG. 10B, resulting in a powder thickness decrease from a maximum thickness **245** to a zero thickness.

The instant powder deposition system may be provided such that the powder patterns of FIGS. 9A and 10A may be deposited with the first powder **242** deposited on top of the second powder **244** as shown in FIG. 11, or vice-versa. It can be seen that the combined profiles of the first and second deposited powders **242** and **244** produce an overall uniform thickness of deposited powder.

In using the powder deposition systems disclosed herein, various patterns and devices may be created by varying the number of slotted electrodes, the number of powders, the number of slots in the electrodes and the bias voltage. The bias voltage on the slotted electrodes may be varied in a non-linear manner in order to create nonlinear thickness variations in the layers. The slotted electrodes may be either stationary relative to the powder source or moving with the substrate as a stencil. Two or more of the same or different powders may be deposited to create desirable combinations of layers and patterns using the powder deposition systems disclosed herein.

It is, therefore, apparent that there has been provided, in accordance with the present invention, a method and apparatus for fabricating two-dimensional and three-dimensional objects by charged powder deposition. Having thus described

15

the basic concept of the invention, it will be rather apparent to those skilled in the art that the foregoing detailed disclosure is intended to be presented by way of example only, and is not limiting. Various alterations, improvements, and modifications will occur to those skilled in the art, though not expressly stated herein. These alterations, improvements, and modifications are intended to be suggested hereby, and are within the spirit and scope of the invention. Additionally, the recited order of processing elements or sequences, or the use of numbers, letters, or other designations therefore, is not intended to limit the claimed processes to any order except as may be specified in the claims.

We claim:

1. An apparatus for fabricating an object, the apparatus comprising:

- a) a charged powder cloud generating system configured to generate a first cloud of charged powder of a single electrical polarity;
- b) a first electrode proximate to the powder cloud generating system and comprising at least one shaped slot having an elongated length with respect to its width, the first electrode disposable between the first cloud and a conductive substrate positioned to receive a portion of the charged powder;
- c) a voltage control system configured to apply a first bias voltage of a polarity opposite the polarity of the charged powder to the conductive substrate and to apply a second bias voltage of between zero and a non-zero voltage of the same single electrical polarity as the charged powder to the first electrode;

wherein at least one of the first and second bias voltages is variable by the voltage control system.

2. The apparatus of claim 1, further comprising the conductive substrate.

3. The apparatus of claim 1, further comprising a plurality of first electrodes, each of the first electrodes comprised of at least one shaped slot, wherein the voltage control system is

16

configured to apply respective bias voltages of between zero and a non-zero voltage of the same single polarity as the charged powder to the plurality of electrodes.

4. The apparatus of claim 2, further comprising a drive configured to move the conductive substrate relative to the first electrode.

5. The apparatus of claim 4, wherein the at least one shaped slot of the first electrode has a longitudinal axis perpendicular to the direction of relative motion of the conductive substrate.

6. The apparatus of claim 1, wherein the voltage control system is configured to independently vary the first bias voltage and the second bias voltage.

7. The apparatus of claim 2, further comprising means for consolidating the first portion of charged powder on the conductive substrate.

8. The apparatus of claim 1, further comprising a second charged powder cloud generating system configured to generate a second cloud of charged powder of the single electrical polarity.

9. The apparatus of claim 8, further comprising a second electrode comprising at least one shaped slot and disposable between the second cloud and the conductive substrate.

10. The apparatus of claim 1, wherein the shaped slot of the first electrode is comprised of a central section having opposed first and second parallel edges, a first end section comprised of first and second adjacent arcuate sectors intersected respectively by first ends of the first and second parallel edges, and third and fourth adjacent arcuate sectors intersected respectively by second ends of the first and second parallel edges.

11. The apparatus of claim 1, wherein the voltage control system is operable to vary at least one of the first and second bias voltages to control the rate of transfer of charged powder from the powder cloud through the at least one shaped slot to the conductive substrate.

* * * * *